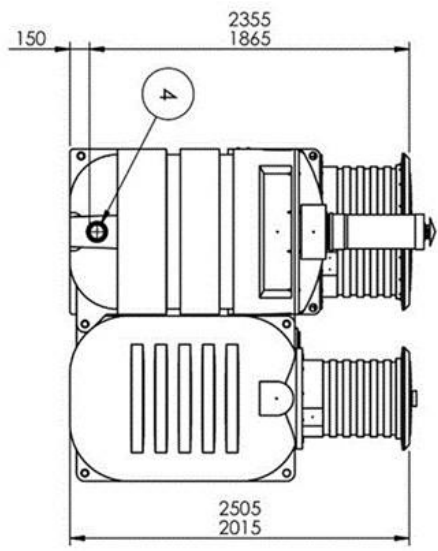
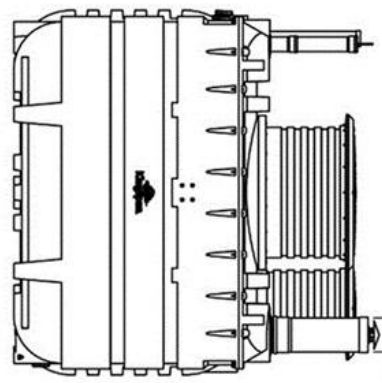
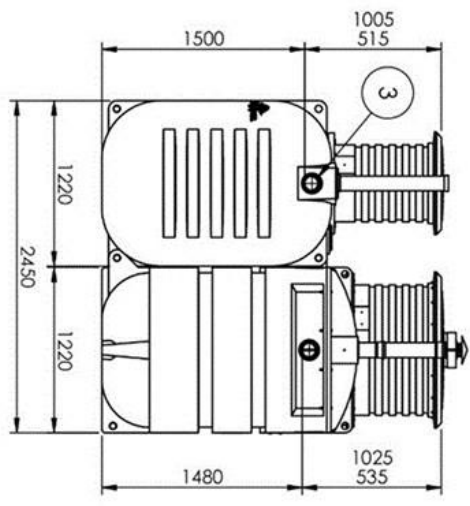
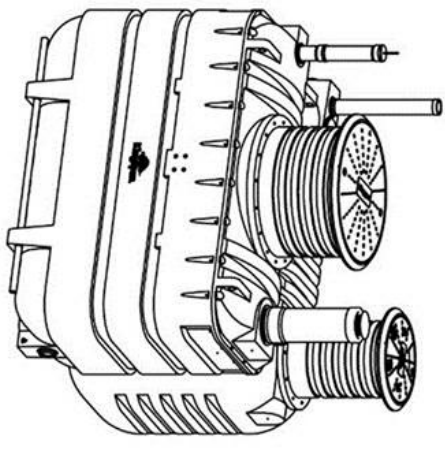
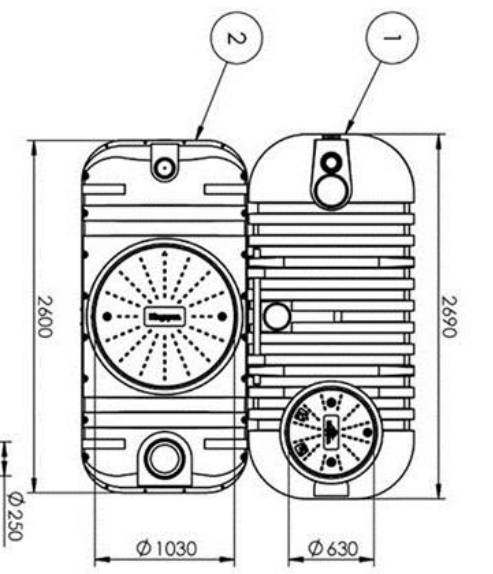


NO.	ITEM
1	PRIMARY SETTLEMENT TANK Cuve de pré-traitement
2	FILTER TANK Filtre
3	INLET Entrée
4	GRAVITY OUTLET Sortie



POP. REV.	OPIS DESCRIPTION	DATA DATE	ZATWIERDZIE APPROVED
A	French language was added, dimensioning of piping was changed	05.06.2023	J. Kasprzak

Kapsprzak / producer  
**PE**  
 Kingspan Water & Energy Sp. z o.o. Nie mażari gme l'ne KOTOWANIE, ROZKOWIECZYNANIE  
 ul. Topolowa 5, 42-070 Rokietnica, Poland  
 tel. +48 61 814 44 00, fax. +48 614 54 99  
 www.kingspan.com

Kapsprzak / producer  
**PE**  
 Kingspan Water & Energy Sp. z o.o. Nie mażari gme l'ne KOTOWANIE, ROZKOWIECZYNANIE  
 ul. Topolowa 5, 42-070 Rokietnica, Poland  
 tel. +48 61 814 44 00, fax. +48 614 54 99  
 www.kingspan.com

**BioTecFlo G 8:**  
**overall dimensions**  
**dimensions globales**

UNLESS OTHERWISE SPECIFIED ALL DIMENSIONS ARE IN MILLIMETERS  
 WSKAZANE WYMIAŁY PODAJĄ W MILIMETRACH

1:50  
 20.04.2023  
 A

POP. REV.	OPIS DESCRIPTION	DATA DATE	ZATWIERDZIE APPROVED
A	French language was added, dimensioning of piping was changed	05.06.2023	J. Kasprzak