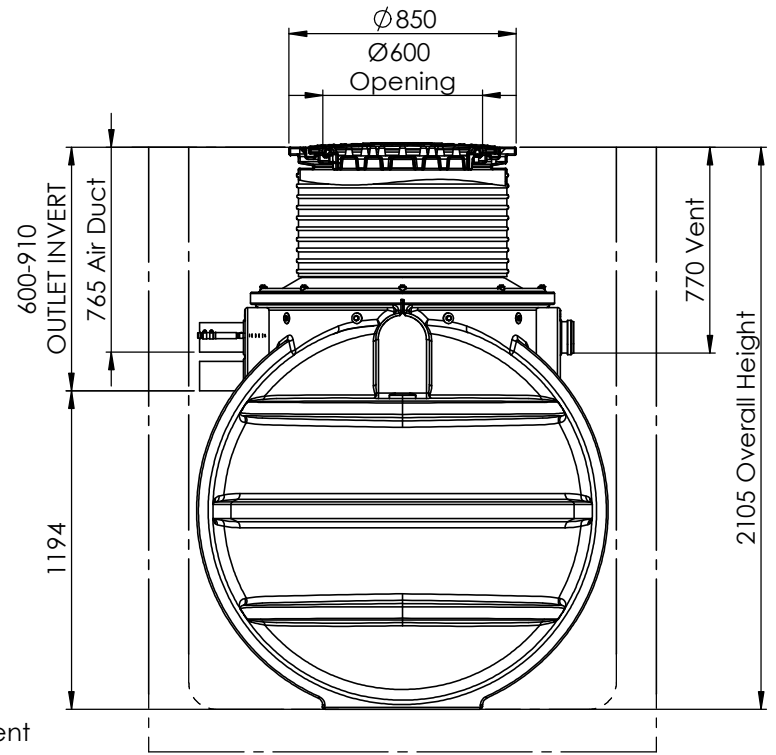
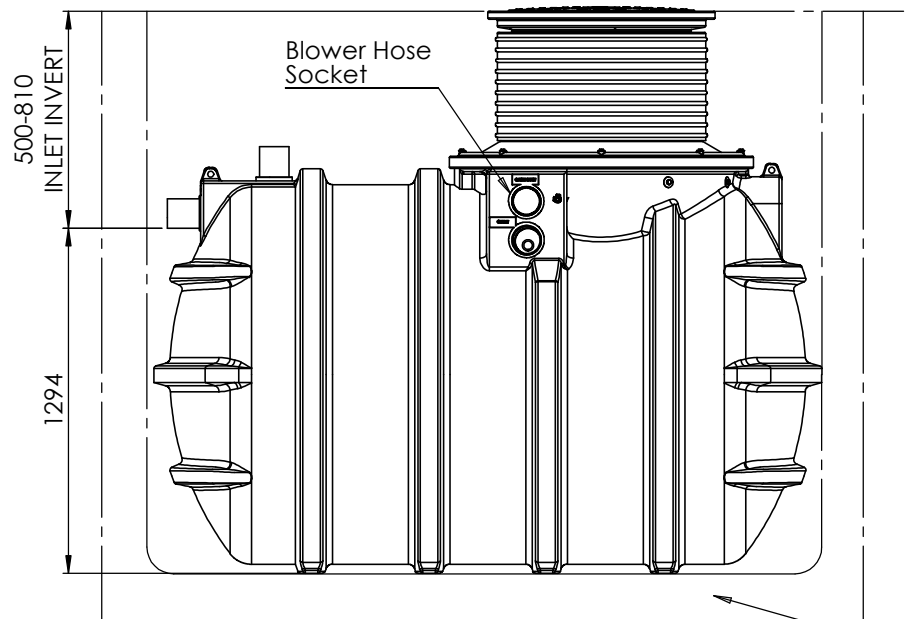


Notes :

- INLET/OUTLET are Ø110 mm. Suitable reducers should be used to step down from bigger pipework. Supplied by others.
  - Units invert is adjustable by trimming external riser to required height. Selection of correct invert is key and must be suitable for drainage and ground levels on site.
  - Ext neck kit available for deeper inverts up to a maximum invert of 1500 mm.
  - It is important to read and understand installation operation and maintenance guidelines before attempting to install this unit.
  - Vent pipe connections are supplied but vent runs and stacks are supplied by others.
  - The unit will normally need de sludged annually. However this is dependant on use.
- Tank Weight (Empty) - 285 Kgs



Concrete base slab cast by client (to suit ground conditions)

Please check with Kingspan Environmental that this drawing is the latest issue				Material :	Tolerance :	Drawing : DS1255P	Page 1 of 1
Issue	Date	Drawn by	Approved by	Finish :	Thickness :		
02	02/08/14	JMcM		Description	Weight : Kgs	BioFicient 1 (6PE) Sales Drawing - MDPE	
01	06/05/14	JMcM		CC1197	Surface Area :		
				Initial Release			
All dimensions in mm		Scale: Not to scale		Kingspan Environmental reserve the right to alter the details of this drawing without prior notice. This drawing is copyright and may not be reproduced or used without the written permission of Kingspan Environmental.			
U:\Engineering\Engineering Projects\938A - BioFicient 6 WWTP (MDPE)\Drawings\DS1255P							