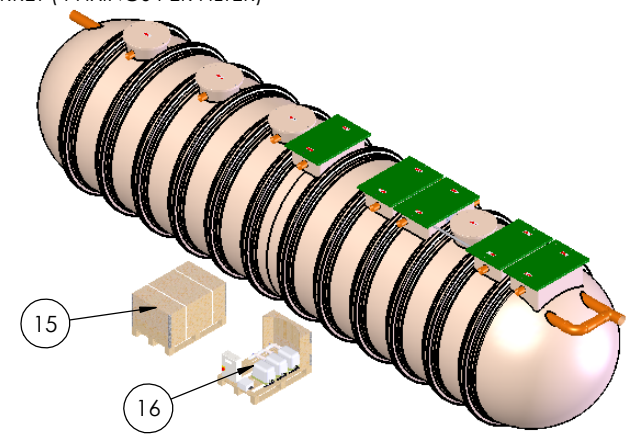


| ITEM NO. | PART NUMBER | DESCRIPTION | xx = 05/QTY. |
|----------|-------------|--|--------------|
| 1 | 404123-05 | Bioficient Case Assembly - 55m³ | 1 |
| 2 | 404092-05 | Ø2.6 Bioficient 55m³ Recirculation Assembly | 1 |
| 3 | 404101 | Ø2.6 Bioficient Diffuser Bracket Assembly | 3 |
| 4 | 404102-05 | 2 Diffuser Assembly | 1 |
| 5 | 404104-05 | 4 Diffuser Assembly | 2 |
| 6 | 700038 | Pump Chamber 4 Float Bracket | 1 |
| 7 | 013641 | 20mm Cable Gland IP55 | 1 |
| 8 | 015364 | Lovato Float Switch | 1 |
| 9 | 404152 | Ø2.6 Bioficient Loom Mounting Assembly | 1 |
| 10 | 006082 | 19mm Reinforced Hose 440-896 (2m long) | 1 |
| 11 | 017950 | POLYLOK PL-625 FILTER & HOUSING | 2 |
| 12 | 012108 | M12 M/S Galvanised Plain Washer | 16 |
| 13 | 012615 | M12 X 40 Grade 8.8 HTS Galv.Hex Head Bolt | 8 |
| 14 | 013152 | M12 Galvanised Hex Full Nut | 8 |
| 15 | 404281 | Ø2.6 BF Airlift Blower, Hoses & Manual Crate | 1 |
| 16 | 404275-A | BF 55 BLOWER & PANEL CRATE PALLET | 1 |

NOTE:
 • ITEM 10 (006082) TO BE USED AS CABLE SHEATH FOR PUMP CABLE IN BIOZONE
 • ITEMS 12, 13 & 14 USED TO FIX FILTER HOUSING TO SIDE OF TURRET (4 FIXINGS PER FILTER)



| Please Check with Kingspan Environmental For The Latest Issue Of This Drawing | | | |
|---|----------|----------|-------------|
| Issue | Date | Drawn by | Approved by |
| 06 | 28/11/18 | W.DYER | |
| 05 | 02/02/18 | W.DYER | |
| 04 | 20/04/17 | WMD | |

| | |
|---------------------|-----------------------------|
| Material : Various | Tolerance (unless stated) : |
| Finish : | Thickness : n/a |
| Weight : 3089.15 Kg | Surface Area : m² |
| Modelled By : Name | |

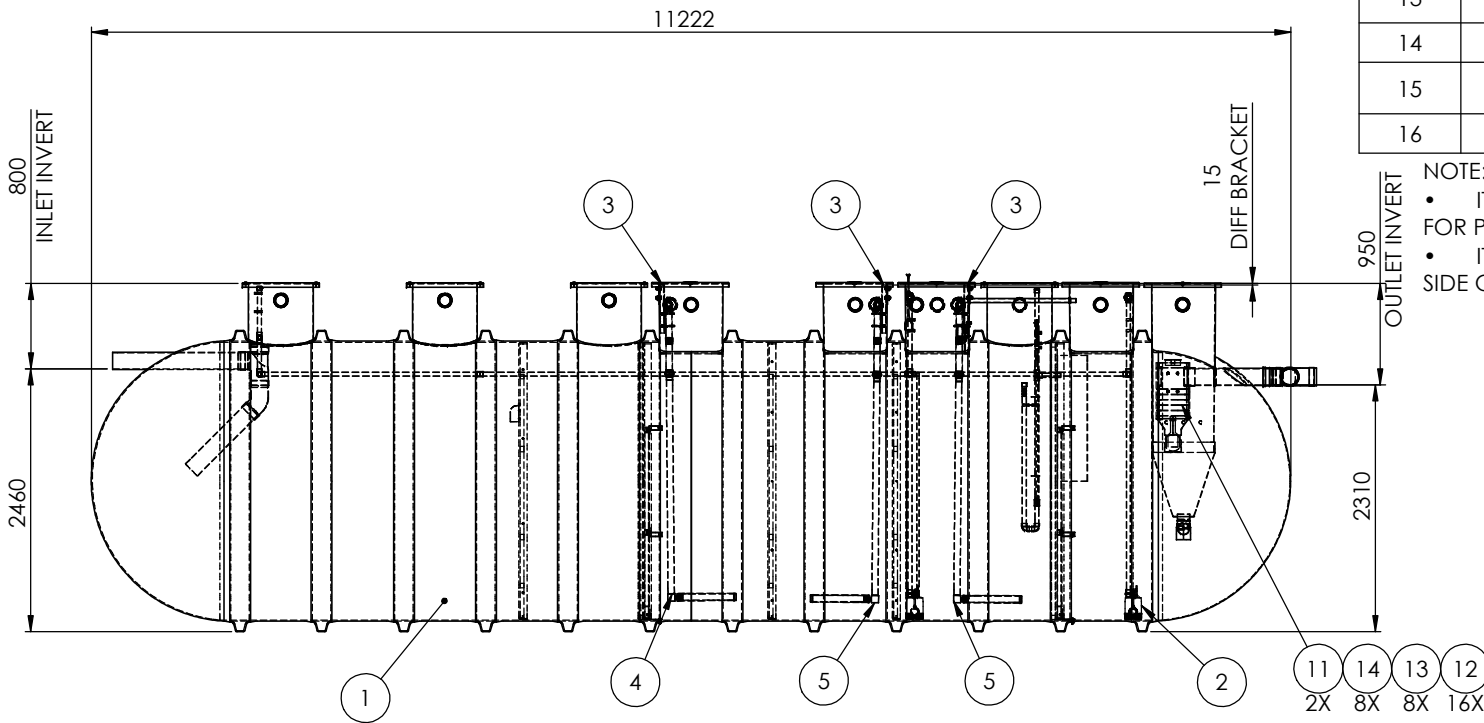
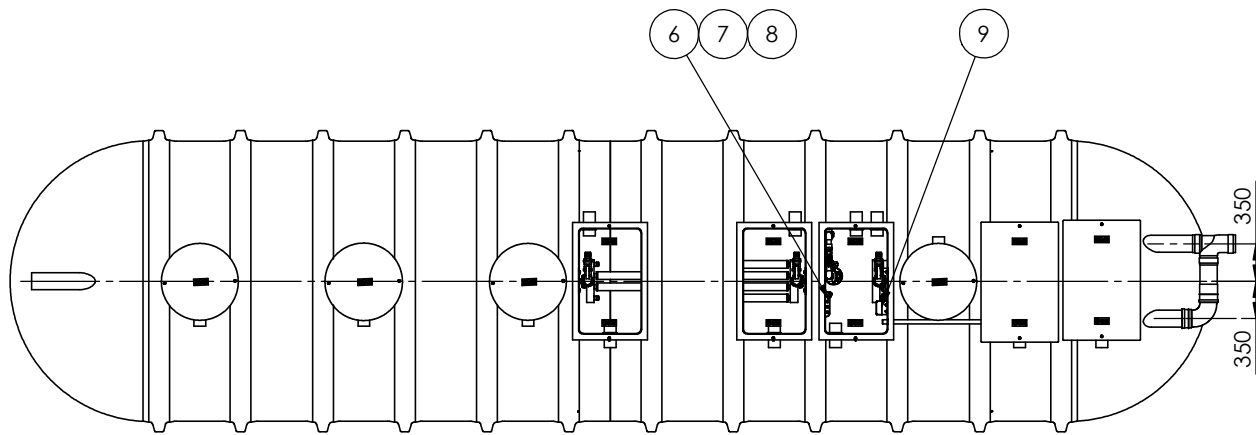
Drawing : BF55vCwxyz Page 1 of 4
 Bioficient Assembly 55m³

All Dimensions In mm Scale: Do Not Scale Third Angle Projection

Z:\Drawing Data\01 - Products\Bioficient\Bioficient Commercial 17 - 80\BF55vCwxyz

Kingspan Environmental reserve the right to alter the details of this drawing without prior notice. This drawing is copyright and may not be reproduced or used without the written permission of Kingspan Environmental

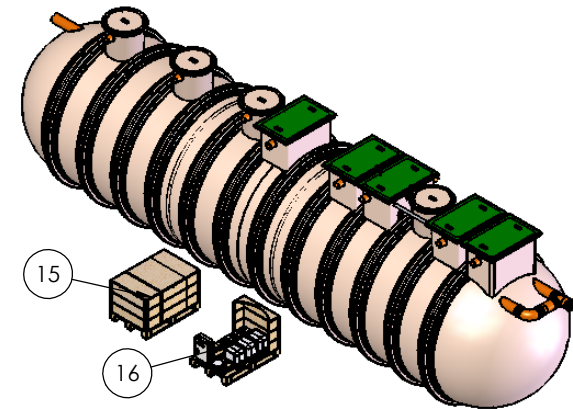




| ITEM NO. | PART NUMBER | DESCRIPTION | xx = 08/QTY. |
|----------|-------------|--|--------------|
| 1 | 404123-08 | Bioficient Case Assembly - 55m³ | 1 |
| 2 | 404092-08 | Ø2.6 Bioficient 55m³ Recirculation Assembly | 1 |
| 3 | 404101 | Ø2.6 Bioficient Diffuser Bracket Assembly | 3 |
| 4 | 404102-08 | 2 Diffuser Assembly | 1 |
| 5 | 404104-08 | 4 Diffuser Assembly | 2 |
| 6 | 700038 | Pump Chamber 4 Float Bracket | 1 |
| 7 | 013641 | 20mm Cable Gland IP55 | 1 |
| 8 | 015364 | Lovato Float Switch | 1 |
| 9 | 404152 | Ø2.6 Bioficient Loom Mounting Assembly | 1 |
| 10 | 006082 | 19mm Reinforced Hose 440-896 (2m long) | 1 |
| 11 | 017950 | POLYLOK PL-625 FILTER & HOUSING | 2 |
| 12 | 012108 | M12 M/S Galvanised Plain Washer | 16 |
| 13 | 012615 | M12 X 40 Grade 8.8 HTS Galv.Hex Head Bolt | 8 |
| 14 | 013152 | M12 Galvanised Hex Full Nut | 8 |
| 15 | 404281 | Ø2.6 BF Airlift Blower, Hoses & Manual Crate | 1 |
| 16 | 404275-A | BF 55 BLOWER & PANEL CRATE PALLET | 1 |

NOTE:

- ITEM 10 (006082) TO BE USED AS CABLE SHEATH FOR PUMP CABLE IN BIOZONE
- ITEMS 12, 13 & 14 USED TO FIX FILTER HOUSING TO SIDE OF TURRET (4 FIXINGS PER FILTER)

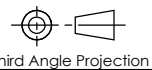


| | |
|---------------------|-----------------------------|
| Material : Various | Tolerance (unless stated) : |
| Finish : | Thickness : n/a |
| Weight : 3089.15 Kg | Surface Area : m² |
| Modelled By : Name | |

Drawing : BF55vCwxyz Page 2 of 4
 Bioficient Assembly 55m³

All Dimensions In mm

Scale: Do Not Scale

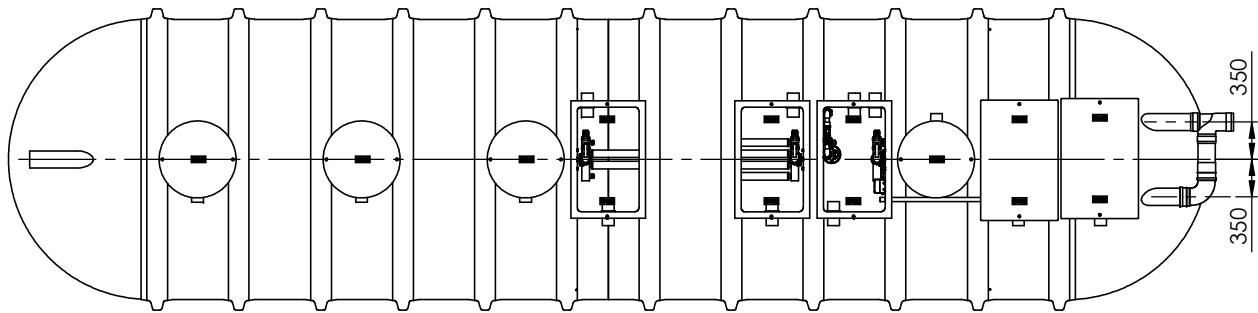


Third Angle Projection

Z:\Drawing Data\01 - Products\Bioficient\Bioficient Commercial 17 - 80\BF55vCwxyz

Kingspan Environmental reserve the right to alter the details of this drawing without prior notice. This drawing is copyright and may not be reproduced or used without the written permission of Kingspan Environmental

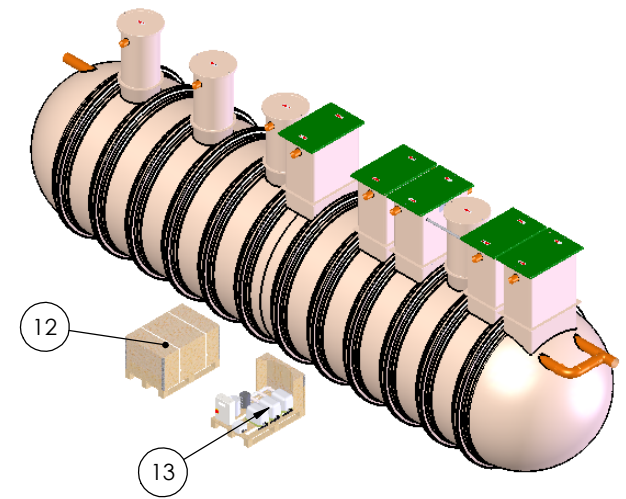
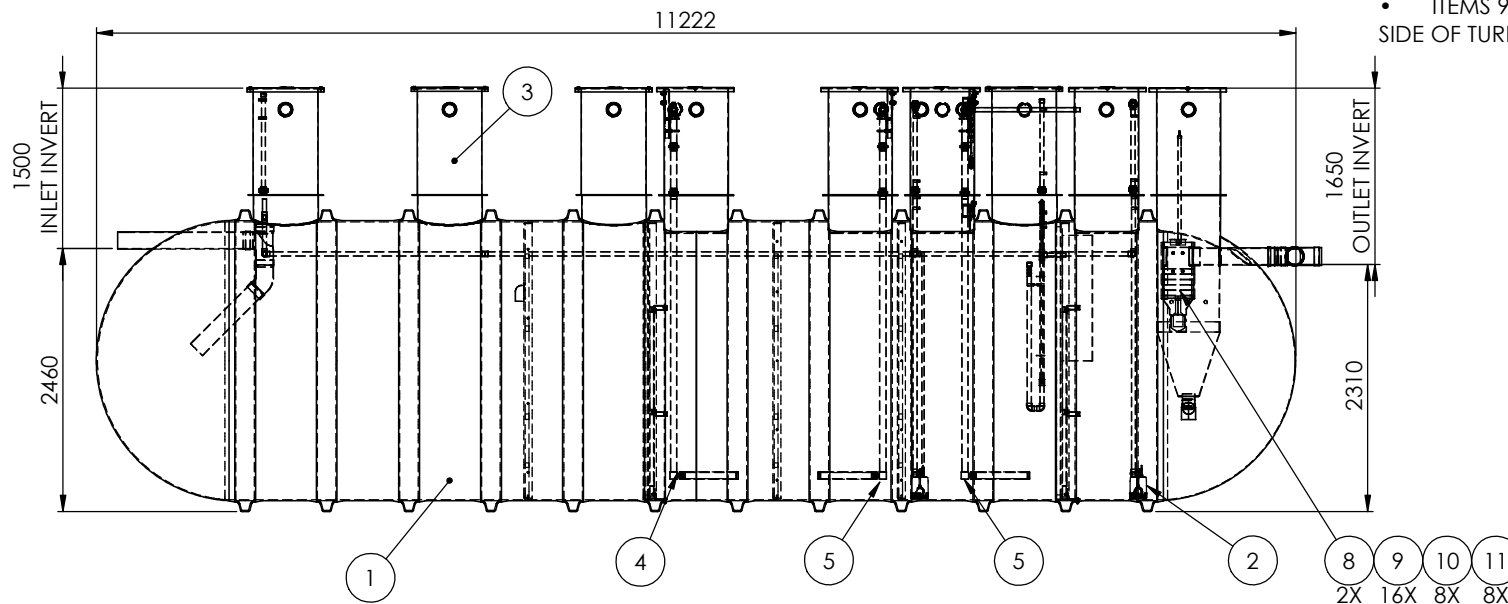




| ITEM NO. | PART NUMBER | DESCRIPTION | xx = 15/QTY. |
|----------|-------------|--|--------------|
| 1 | 404123-15 | Bioficient Case Assembly - 55m³ | 1 |
| 2 | 404092-15 | Ø2.6 Bioficient 55m³ Recirculation Assembly | 1 |
| 3 | 404134 | 1.0m Bioficient Neck Assy 55m³ | 1 |
| 4 | 404102-15 | 2 Diffuser Assembly | 1 |
| 5 | 404104-15 | 4 Diffuser Assembly | 2 |
| 6 | 404152 | Ø2.6 Bioficient Loom Mounting Assembly | 1 |
| 7 | 006082 | 19mm Reinforced Hose 440-896 (2m long) | 1 |
| 8 | 017950 | POLYLOK PL-625 FILTER & HOUSING | 2 |
| 9 | 012108 | M12 M/S Galvanised Plain Washer | 16 |
| 10 | 012615 | M12 X 40 Grade 8.8 HTS Galv.Hex Head Bolt | 8 |
| 11 | 013152 | M12 Galvanised Hex Full Nut | 8 |
| 12 | 404281 | Ø2.6 BF Airlift Blower, Hoses & Manual Crate | 1 |
| 13 | 404275-B | BF 55 BLOWER & PANEL CRATE PALLET | 1 |

NOTE:

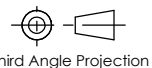
- ITEM 7 (006082) TO BE USED AS CABLE SHEATH FOR PUMP CABLE IN BIOZONE
- ITEMS 9, 10 & 11 USED TO FIX FILTER HOUSING TO SIDE OF TURRET (4 FIXINGS PER FILTER)



| | | | |
|---------------------|-----------------------------|-----------------------------|-------------|
| Material : Various | Tolerance (unless stated) : | Drawing : BF55vCwxyz | Page 3 of 4 |
| Finish : | Thickness : n/a | | |
| Weight : 3089.15 Kg | Surface Area : m² | | |
| Modelled By : Name | | | |

All Dimensions In mm

Scale: Do Not Scale

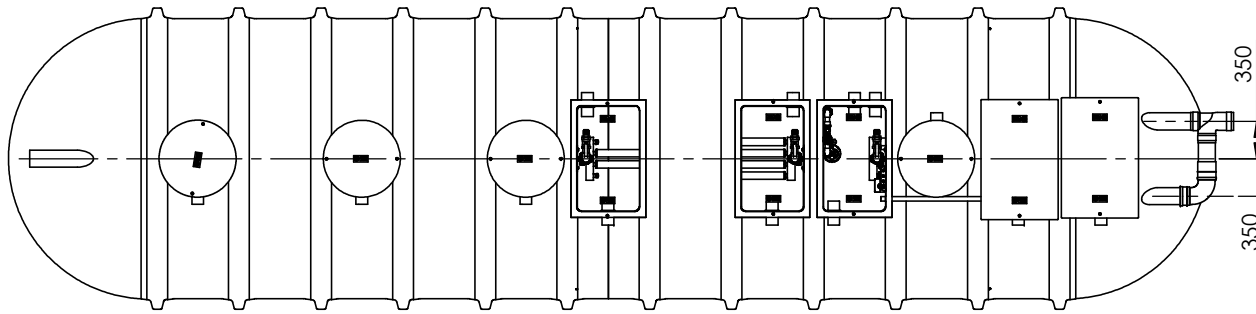


Third Angle Projection

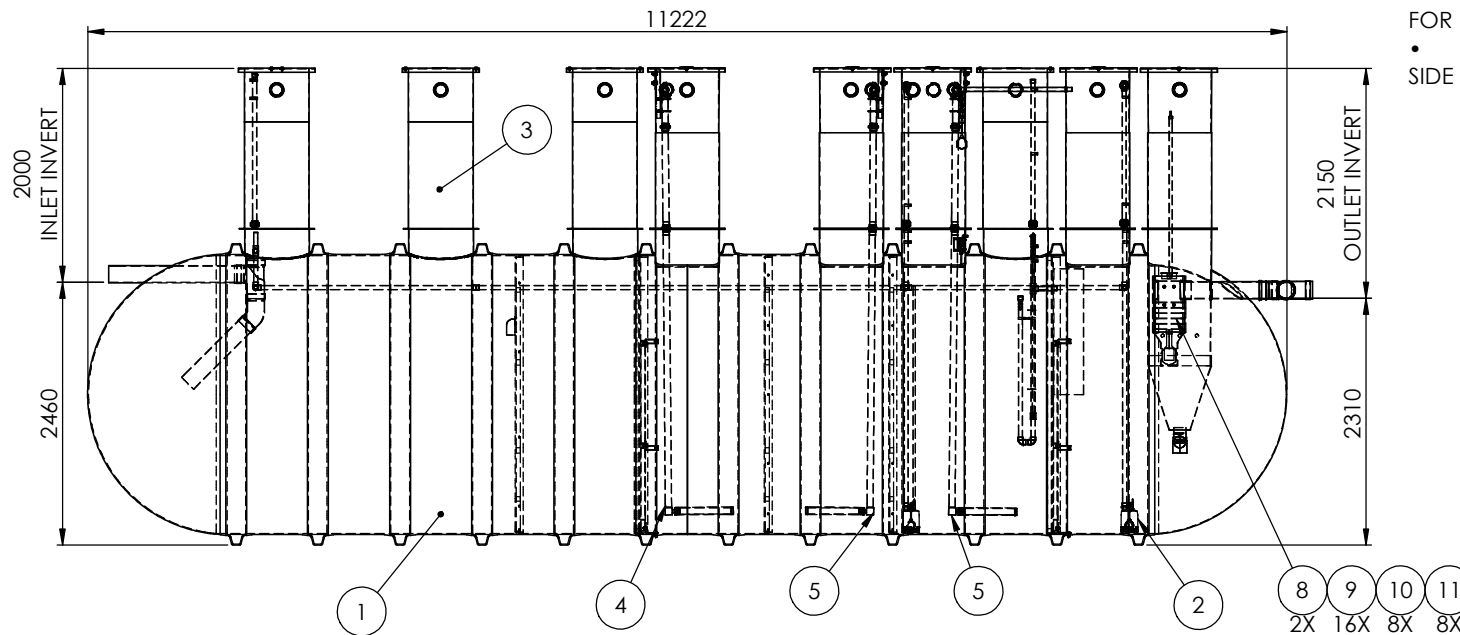
Z:\Drawing Data\01 - Products\Bioficient\Bioficient Commercial 17 - 80\BF55vCwxyz

Kingspan Environmental reserve the right to alter the details of this drawing without prior notice. This drawing is copyright and may not be reproduced or used without the written permission of Kingspan Environmental



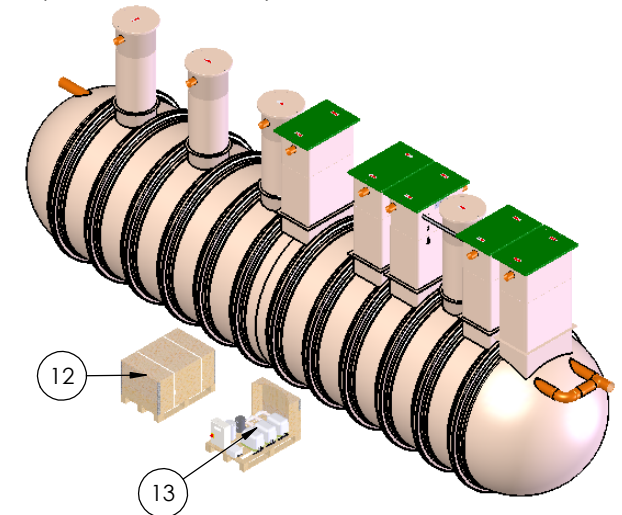


| ITEM NO. | PART NUMBER | DESCRIPTION | xx = 20/QTY. |
|----------|-------------|--|--------------|
| 1 | 404123-20 | Bioficient Case Assembly - 55m³ | 1 |
| 2 | 404092-20 | Ø2.6 Bioficient 55m³ Recirculation Assembly | 1 |
| 3 | 404135 | 1.5m Bioficient Neck Assy 55m³ | 1 |
| 4 | 404102-20 | 2 Diffuser Assembly | 1 |
| 5 | 404104-20 | 4 Diffuser Assembly | 2 |
| 6 | 404152 | Ø2.6 Bioficient Loom Mounting Assembly | 1 |
| 7 | 006082 | 19mm Reinforced Hose 440-896 (2m long) | 1 |
| 8 | 017950 | POLYLOK PL-625 FILTER & HOUSING | 2 |
| 9 | 012108 | M12 M/S Galvanised Plain Washer | 16 |
| 10 | 012615 | M12 X 40 Grade 8.8 HTS Galv.Hex Head Bolt | 8 |
| 11 | 013152 | M12 Galvanised Hex Full Nut | 8 |
| 12 | 404281 | Ø2.6 BF Airlift Blower, Hoses & Manual Crate | 1 |
| 13 | 404275-B | BF 55 BLOWER & PANEL CRATE PALLET | 1 |



NOTE:

- ITEM 7 (006082) TO BE USED AS CABLE SHEATH FOR PUMP CABLE IN BIOZONE
- ITEMS 9, 10 & 11 USED TO FIX FILTER HOUSING TO SIDE OF TURRET (4 FIXINGS PER FILTER)



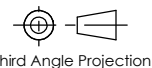
| | |
|---------------------|-----------------------------|
| Material : Various | Tolerance (unless stated) : |
| Finish : | Thickness : n/a |
| Weight : 3089.15 Kg | Surface Area : m² |
| Modelled By : Name | |

| | |
|--|--|
| | |
| | |
| | |
| | |

| | |
|-----------------------------|-------------|
| Drawing : BF55vCwxyz | Page 4 of 4 |
| Bioficient Assembly 55m³ | |

All Dimensions In mm

Scale: Do Not Scale



Third Angle Projection

Z:\Drawing Data\01 - Products\Bioficient\Bioficient Commercial 17 - 80\BF55vCwxyz

Kingspan Environmental reserve the right to alter the details of this drawing without prior notice. This drawing is copyright and may not be reproduced or used without the written permission of Kingspan Environmental

