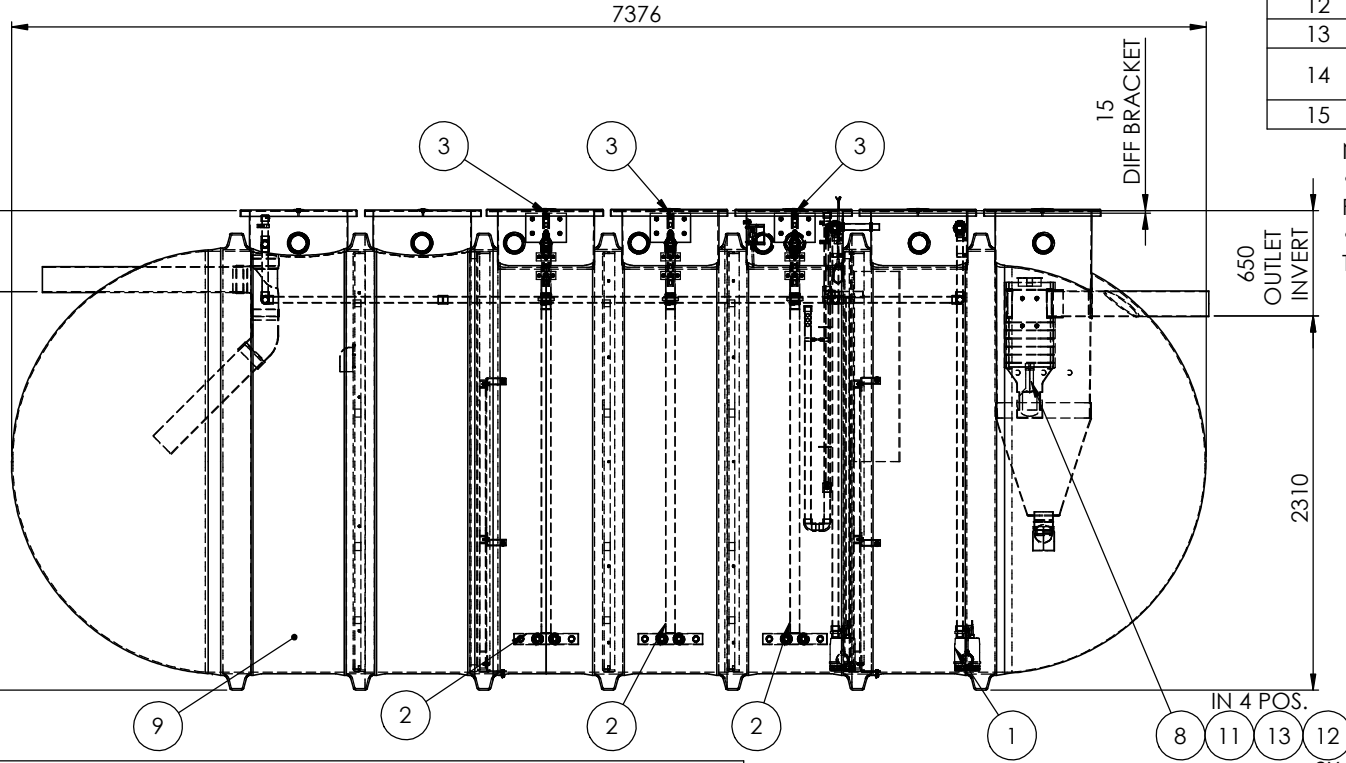
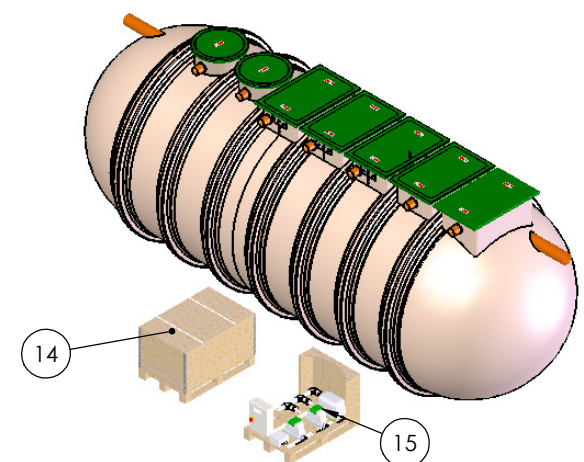


ITEM NO.	PART NUMBER	DESCRIPTION	xx = 05/QTY.
1	404088-05	Ø2.6 Bioficient 34m³ Recirculation Assembly	1
2	404102-05	2 Diffuser Assembly	3
3	404101	Ø2.6 Bioficient Diffuser Bracket Assembly	3
4	700038	Pump Chamber 4 Float Bracket	1
5	013641	20mm Cable Gland IP55	1
6	404152	Ø2.6 Bioficient Loom Mounting Assembly	1
7	006082	19mm Reinforced Hose 440-896 (2m long)	1
8	017950	POLYLOK PL-625 FILTER & HOUSING	1
9	404119-05	Bioficient Case Assembly 0.5m Invert - 34m³	1
10	015364	Lovato Float Switch	1
11	012615	M12 X 40 Grade 8.8 HTS Galv.Hex Head Bolt	4
12	012108	M12 M/S Galvanised Plain Washer	8
13	013152	M12 Galvanised Hex Full Nut	4
14	404281	Ø2.6 BF Airlift Blower, Hoses & Manual Crate	1
15	404283-A	BF 34 BLOWER & PANEL CRATE PALLET	1



NOTE:

- ITEM 10 (006082) TO BE USED AS CABLE SHEATH FOR PUMP CABLE IN BIOZONE
- ITEMS 11, 12 & 13 USED TO FIX FILTER HOUSING TO SIDE OF TURRET (4 FIXINGS PER FILTER)



Please Check with Kingspan Environmental For The Latest Issue Of This Drawing			
Issue	Date	Drawn by	Approved by
06	28/11/18	W.DYER	
05	01/02/18	W.DYER	
04	19/04/17	WMD	

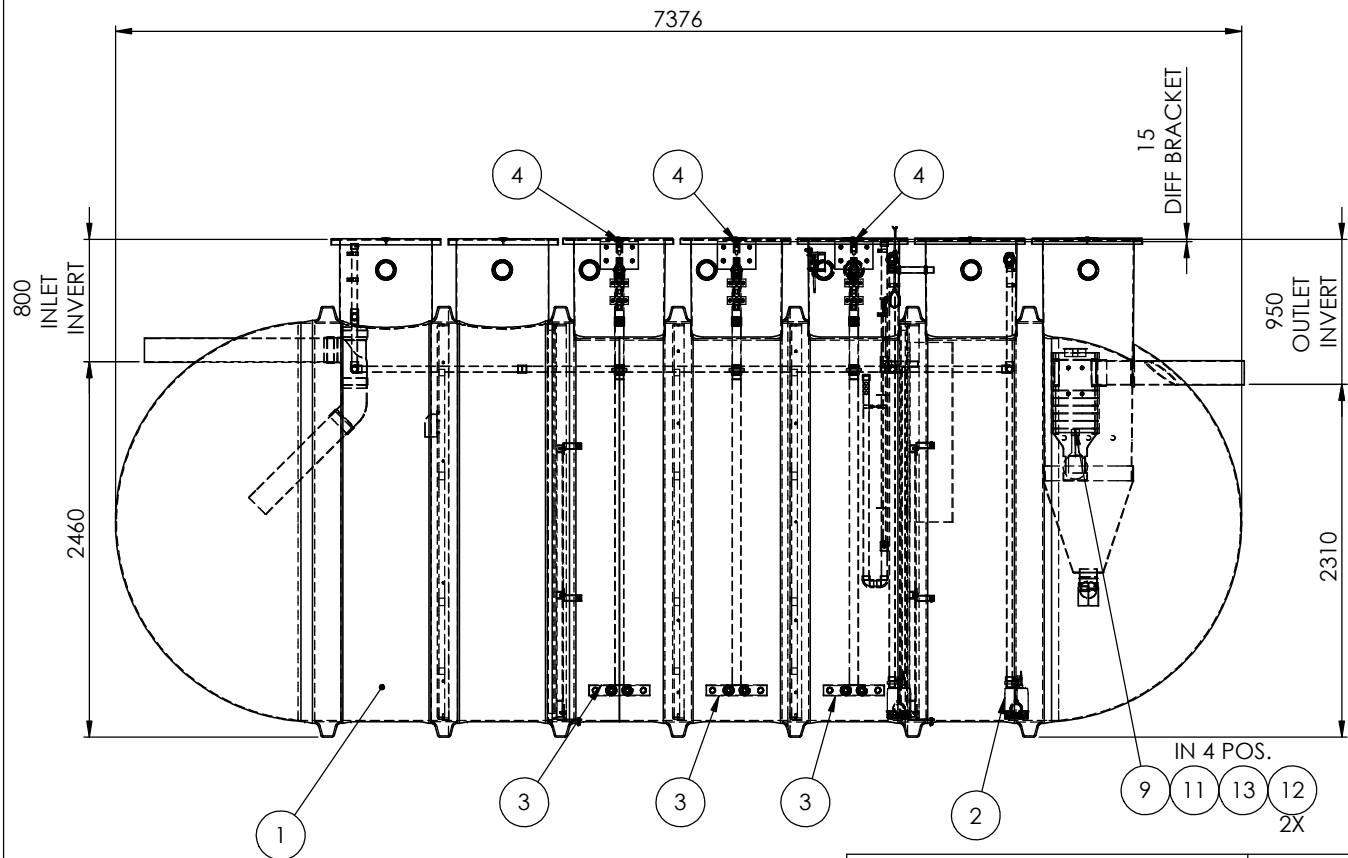
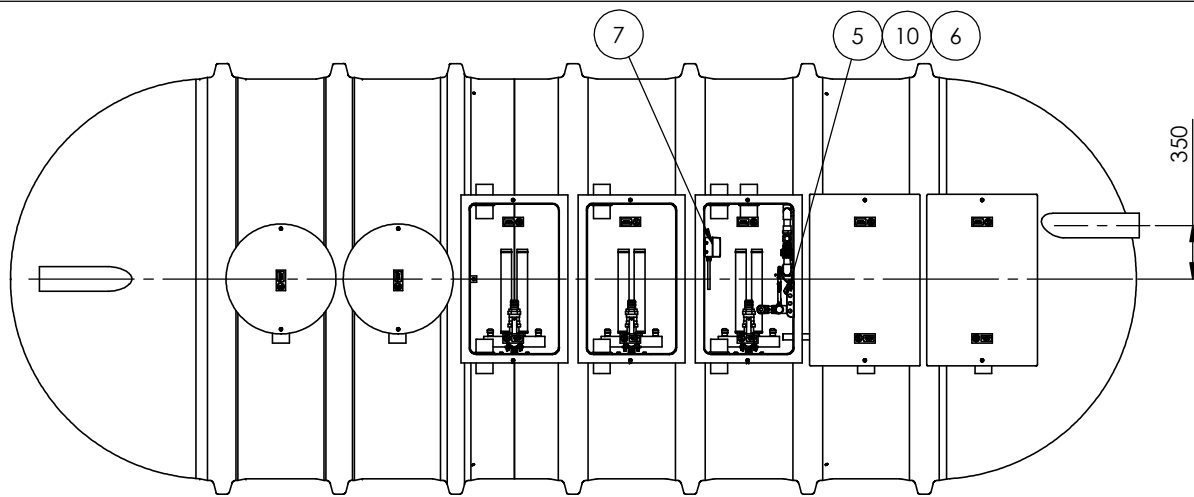
Description	Material : Various	Tolerance (unless stated) :
CC1453	Finish :	Thickness : n/a
CC1415	Weight : 2506.95 Kg	Surface Area : m²
CC1374	Modelled By : Name	

Drawing : BF34vCwxyz  
 Bioficient Assembly 34m³  
 Page 1 of 4

All Dimensions In mm  
 Scale: Do Not Scale  
 Third Angle Projection  
 Z:\Drawing Data\01 - Products\Bioficient\Bioficient Commercial 17 - 80\BF34vCwxyz

Kingspan Environmental reserve the right to alter the details of this drawing without prior notice. This drawing is copyright and may not be reproduced or used without the written permission of Kingspan Environmental

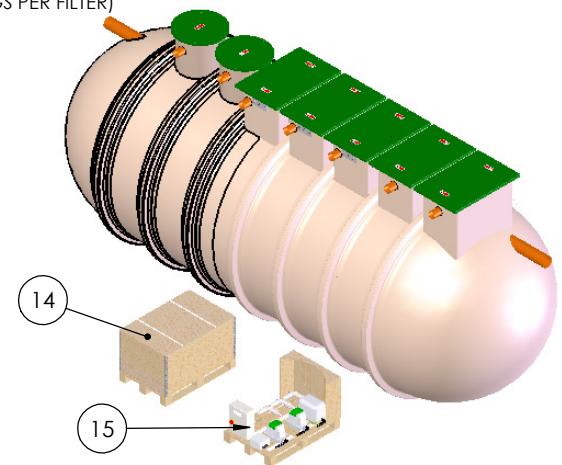




ITEM NO.	PART NUMBER	DESCRIPTION	xx = 08/QTY.
1	404119-08	Bioficient Case Assembly 0.8m Invert - 34m <sup>3</sup>	1
2	404088-08	Ø2.6 Bioficient 34m <sup>3</sup> Recirculation Assembly	1
3	404102-08	2 Diffuser Assembly	3
4	404101	Ø2.6 Bioficient Diffuser Bracket Assembly	3
5	700038	Pump Chamber 4 Float Bracket	1
6	013641	20mm Cable Gland IP55	1
7	404152	Ø2.6 Bioficient Loom Mounting Assembly	1
8	006082	19mm Reinforced Hose 440-896 (2m long)	1
9	017950	POLYLOK PL-625 FILTER & HOUSING	1
10	015364	Lovato Float Switch	1
11	012615	M12 X 40 Grade 8.8 HTS Galv.Hex Head Bolt	4
12	012108	M12 M/S Galvanised Plain Washer	8
13	013152	M12 Galvanised Hex Full Nut	4
14	404281	Ø2.6 BF Airlift Blower, Hoses & Manual Crate	1
15	404283-A	BF 34 BLOWER & PANEL CRATE PALLET	1

NOTE:

- ITEM 10 (006082) TO BE USED AS CABLE SHEATH FOR PUMP CABLE IN BIOZONE
- ITEMS 11, 12 & 13 USED TO FIX FILTER HOUSING TO SIDE OF TURRET (4 FIXINGS PER FILTER)

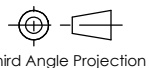


Material : Various	Tolerance (unless stated) :
Finish :	Thickness : n/a
Weight : 2506.95 Kg	Surface Area : m <sup>2</sup>
Modelled By : Name	

Drawing : BF34vCwxyz	
Bioficient Assembly 34m <sup>3</sup>	

All Dimensions In mm

Scale: Do Not Scale

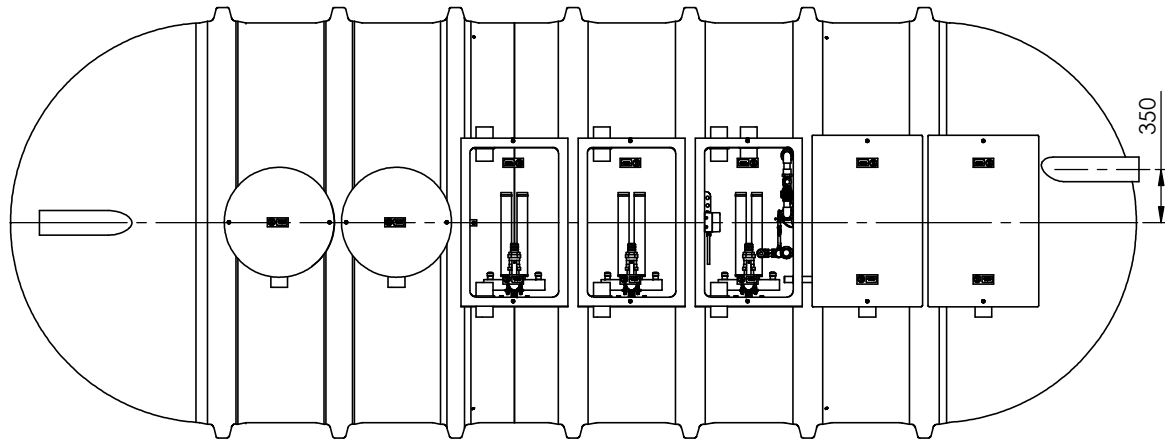


Third Angle Projection

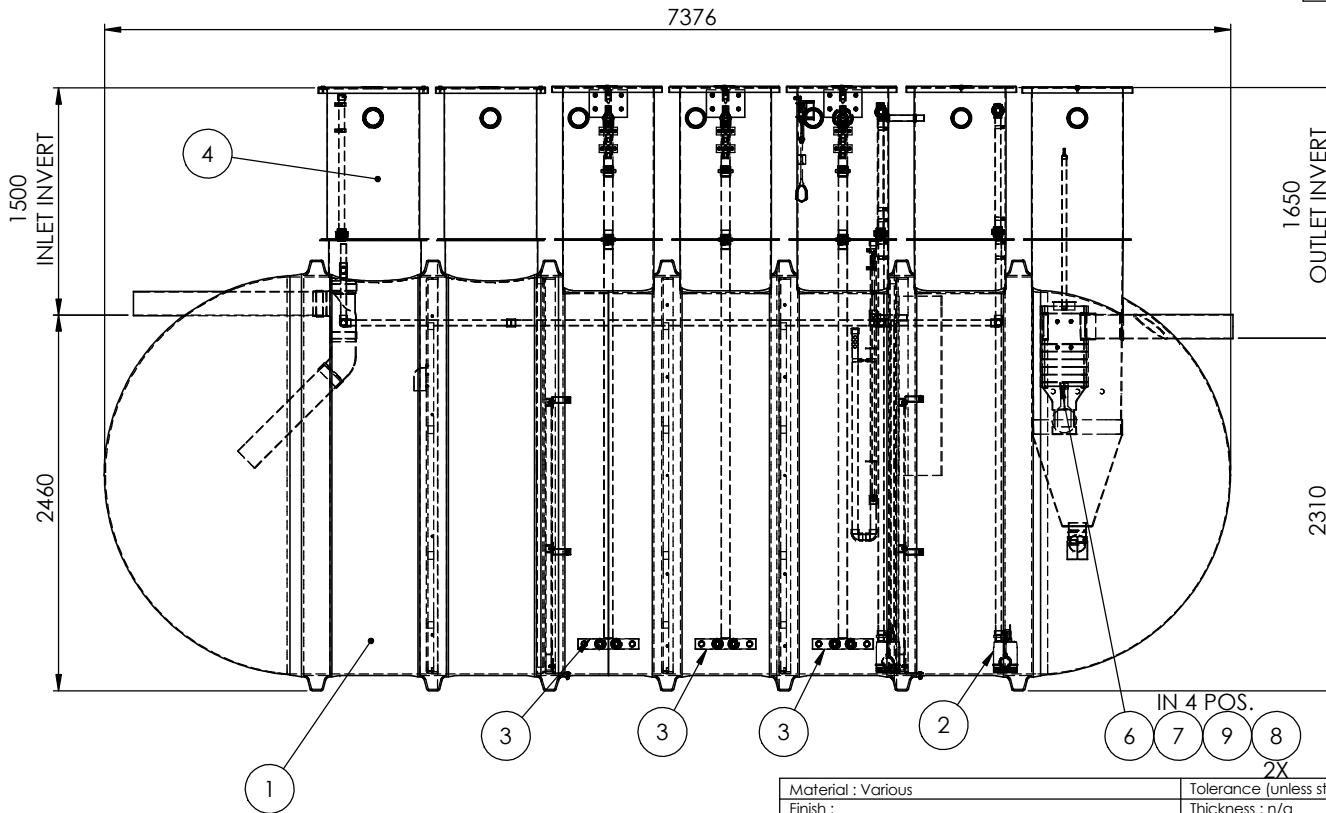
Z:\Drawing Data\01 - Products\Bioficient\Bioficient Commercial 17 - 80\BF34vCwxyz

Kingspan Environmental reserve the right to alter the details of this drawing without prior notice. This drawing is copyright and may not be reproduced or used without the written permission of Kingspan Environmental



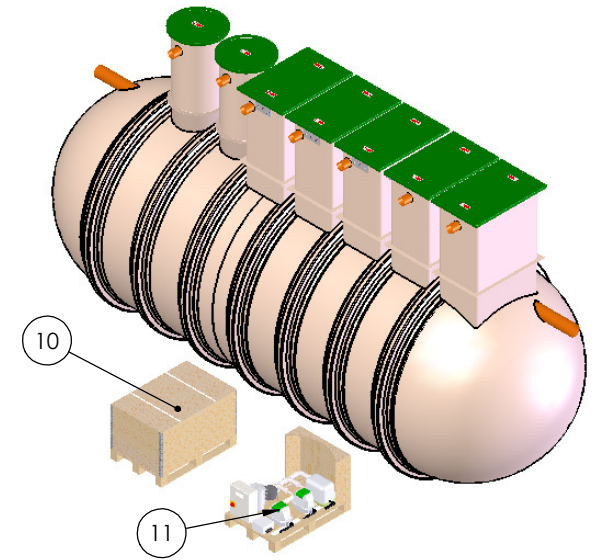


ITEM NO.	PART NUMBER	DESCRIPTION	xx = 15/QTY.
1	404119-15	Bioficient Case Assembly - 34m³	1
2	404088-15	Ø2.6 Bioficient 34m³ Recirculation Assembly	1
3	404102-15	2 Diffuser Assembly	3
4	404126	1.0m Bioficient Neck Extension 34m³ Tanks	1
5	006082	19mm Reinforced Hose 440-896 (2m long)	1
6	017950	POLYLOK PL-625 FILTER & HOUSING	1
7	012615	M12 X 40 Grade 8.8 HTS Galv.Hex Head Bolt	4
8	012108	M12 M/S Galvanised Plain Washer	8
9	013152	M12 Galvanised Hex Full Nut	4
10	404281	Ø2.6 BF Airlift Blower, Hoses & Manual Crate	1
11	404283-B	BF 34 BLOWER & PANEL CRATE PALLET	1



NOTE:

- ITEM 10 (006082) TO BE USED AS CABLE SHEATH FOR PUMP CABLE IN BIOZONE
- ITEMS 7, 8 & 9 USED TO FIX FILTER HOUSING TO SIDE OF TURRET (4 FIXINGS PER FILTER)



Material : Various	Tolerance (unless stated) :
Finish :	Thickness : n/a
Weight : 2506.95 Kg	Surface Area : m²
Modelled By : Name	

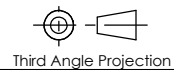
Drawing : BF34vCwxyz

Page 3 of 4

Bioficient Assembly 34m³

All Dimensions In mm

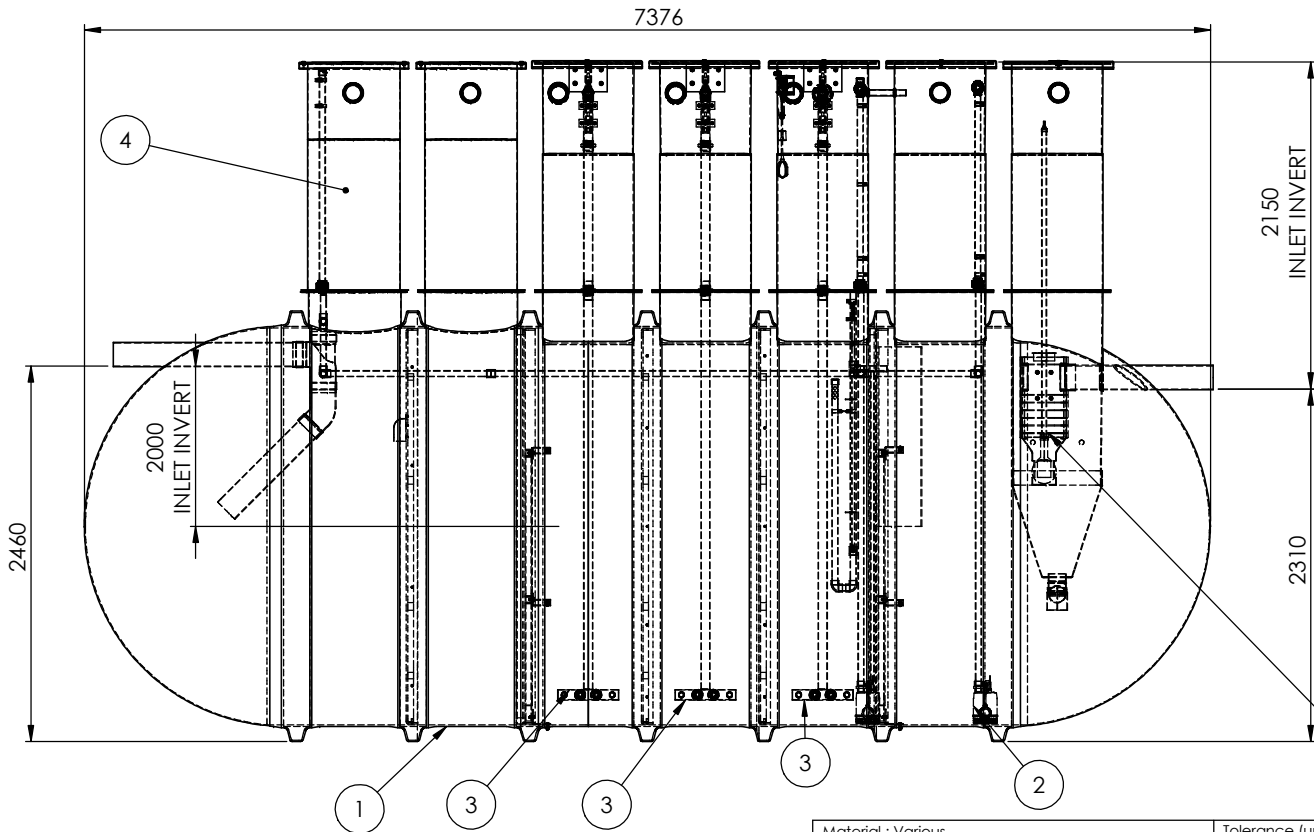
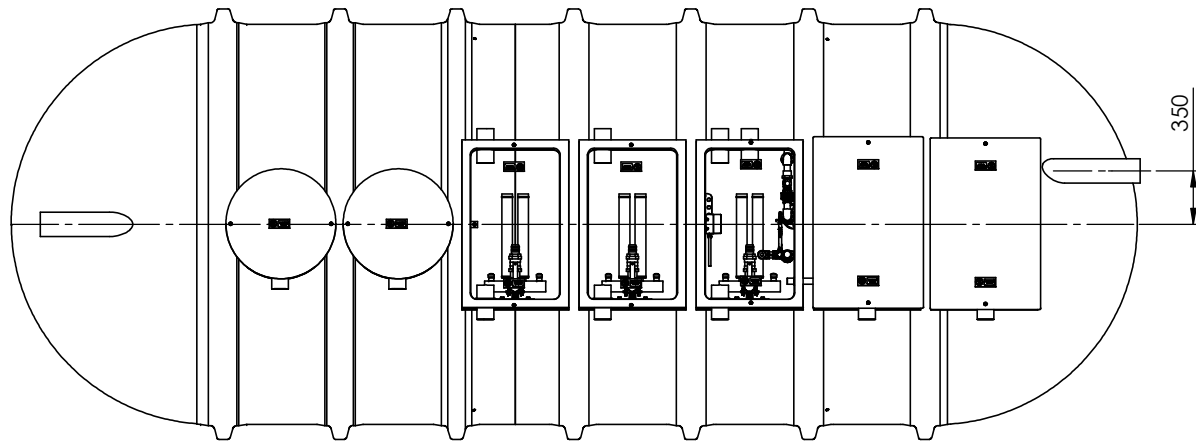
Scale: Do Not Scale



Third Angle Projection

Kingspan Environmental reserve the right to alter the details of this drawing without prior notice. This drawing is copyright and may not be reproduced or used without the written permission of Kingspan Environmental

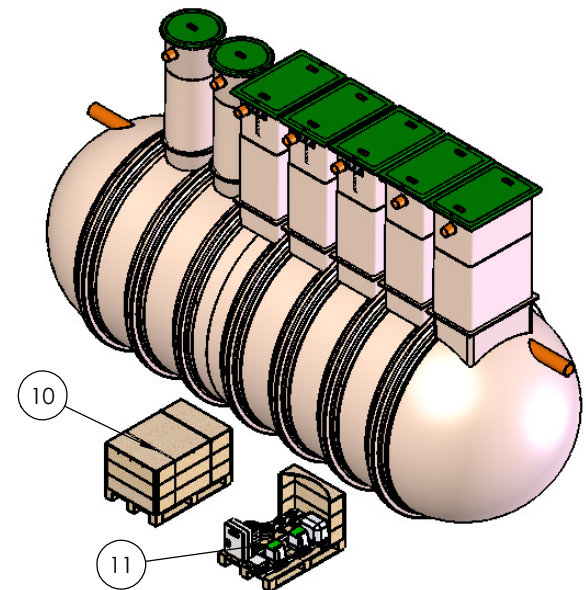




ITEM NO.	PART NUMBER	DESCRIPTION	xx = 20/QTY.
1	404119	Bioficient Case Assembly 2.0m Invert - 34m <sup>3</sup>	1
2	404088-20	Ø2.6 Bioficient 34m <sup>3</sup> Recirculation Assembly	1
3	404102-20	2 Diffuser Assembly	3
4	404127	1.5m Bioficient Neck Extension 34m <sup>3</sup> Tanks	1
5	006082	19mm Reinforced Hose 440-896 (2m long)	1
6	017950	POLYLOK PL-625 FILTER & HOUSING	1
7	012615	M12 X 40 Grade 8.8 HTS Galv.Hex Head Bolt	4
8	012108	M12 M/S Galvanised Plain Washer	8
9	013152	M12 Galvanised Hex Full Nut	4
10	404281	Ø2.6 BF Airlift Blower, Hoses & Manual Crate	1
11	404283-B	BF 34 BLOWER & PANEL CRATE PALLET	1

NOTE:

- ITEM 10 (006082) TO BE USED AS CABLE SHEATH FOR PUMP CABLE IN BIOZONE
- ITEMS 7, 8 & 9 USED TO FIX FILTER HOUSING TO SIDE OF TURRET (4 FIXINGS PER FILTER)

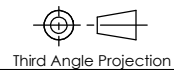


Material : Various	Tolerance (unless stated) :
Finish :	Thickness : n/a
Weight : 2506.95 Kg	Surface Area : m <sup>2</sup>
Modelled By : Name	

Drawing : BF34vCwxyz	
Bioficient Assembly 34m <sup>3</sup>	

All Dimensions In mm

Scale: Do Not Scale



Third Angle Projection

Z:\Drawing Data\01 - Products\Bioficient\Bioficient Commercial 17 - 80\BF34vCwxyz

Kingspan Environmental reserve the right to alter the details of this drawing without prior notice. This drawing is copyright and may not be reproduced or used without the written permission of Kingspan Environmental

