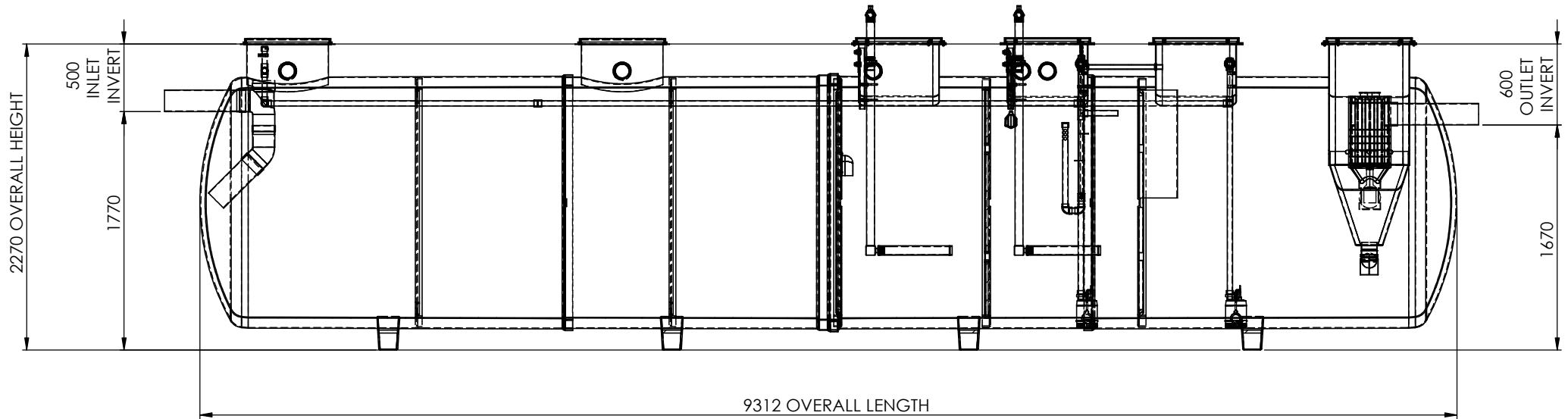
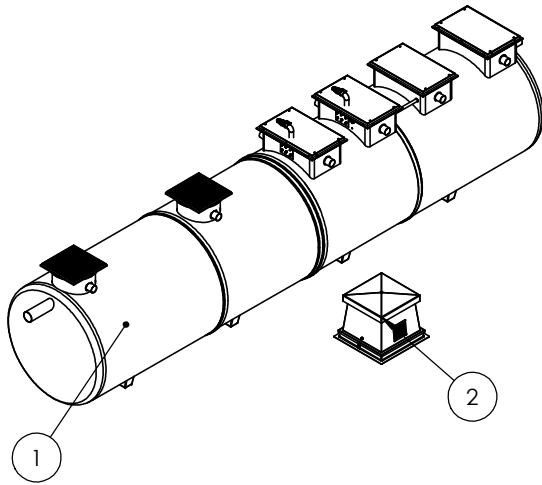
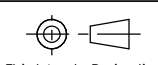



0.5m INVERT

ITEM NO.	PART NUMBER	DESCRIPTION	0.5m Invert	0.5m Invert - No Cover
1	404406-05	Bioficient 23m³ Case Assembly	1	-
1	404418-05	Bioficient 23m³ Case Assembly - No Covers	-	1
2	201314	Bioficient 17 & 23 Blower Box Assembly - PPFDS	1	1



Please Check with Environmental Treatment Systems Limited For The Latest Issue Of This Drawing				Material : Various	Tolerance (unless stated) :	Drawing : BF23vC2wxyz	Page 1 of 4
Issue	Date	Drawn by	Approved by	Finish :	Thickness : n/a		
01	05/04/19	W.DYER		Weight : 1118.66 Kg	Surface Area : m²	Bioficient 23m³ Assembly	
INITIAL ISSUE - CC1481				Modelled By : Name			
All Dimensions In mm		Scale: Do Not Scale		 Third Angle Projection			
Z:\Drawing Data\01 - Products\Bioficient\Bioficient Commercial 17 - 80\BF23vC2wxyz							

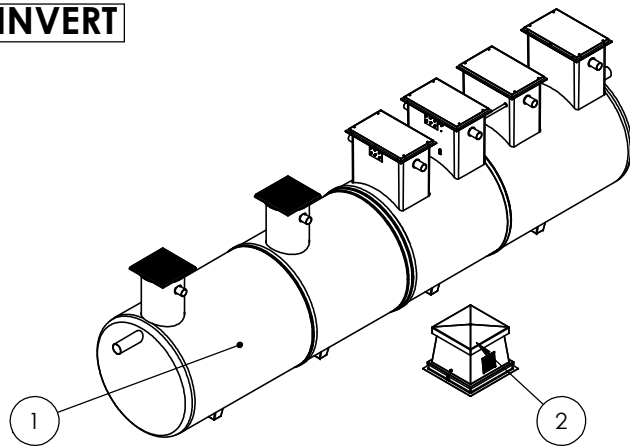
Kingspan Environmental reserve the right to alter the details of this drawing without prior notice. This drawing is copyright and may not be reproduced or used without the written permission of Kingspan Environmental

Drawing : BF23vC2wxyz

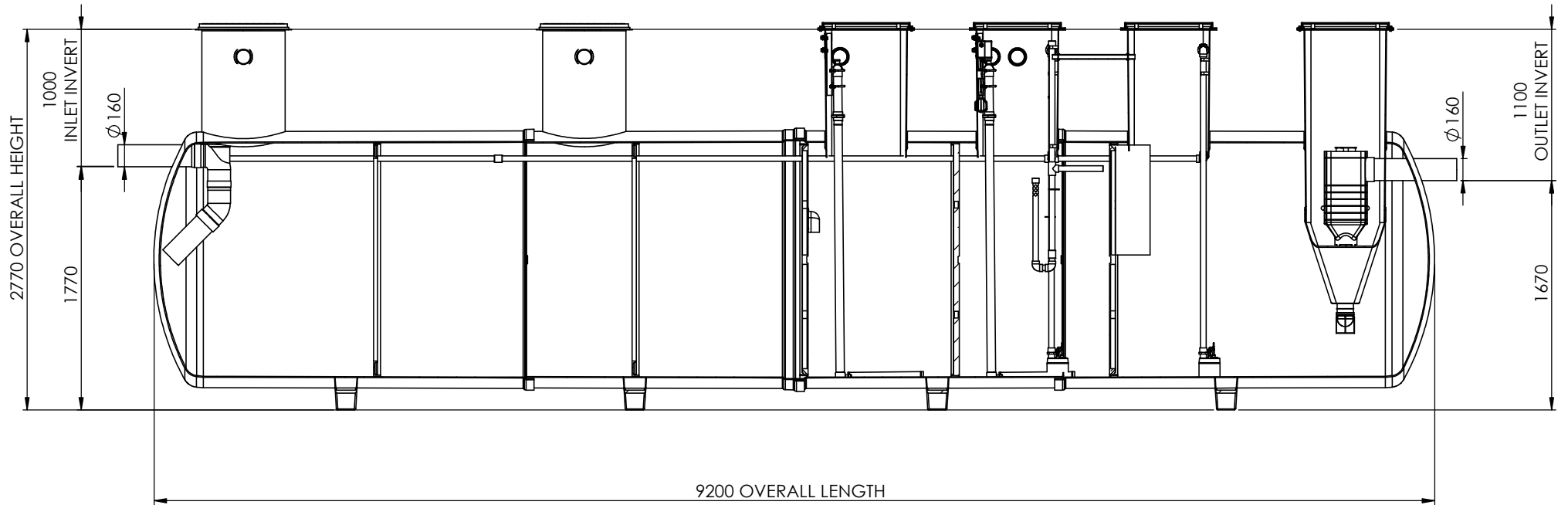
Bioficient 23m³ Assembly



1.0m INVERT



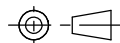
ITEM NO.	PART NUMBER	DESCRIPTION	1.0m Invert	1.0m Invert - No Covers
1	404406-10	Bioefficient 23m³ Case Assembly	1	-
1	404418-10	Bioefficient 23m³ Case Assembly - No Covers	-	1
2	201314	Bioefficient 17 & 23 Blower Box Assembly - PPFDS	1	1



Material : Various	Tolerance (unless stated) :	Drawing : BF23vC2wxyz	Page 2 of 4
Finish :	Thickness : n/a		
Weight : 1118.66 Kg	Surface Area : m²	Bioefficient 23m³ Assembly	
Modelled By : Name			

All Dimensions In mm

Scale: Do Not Scale

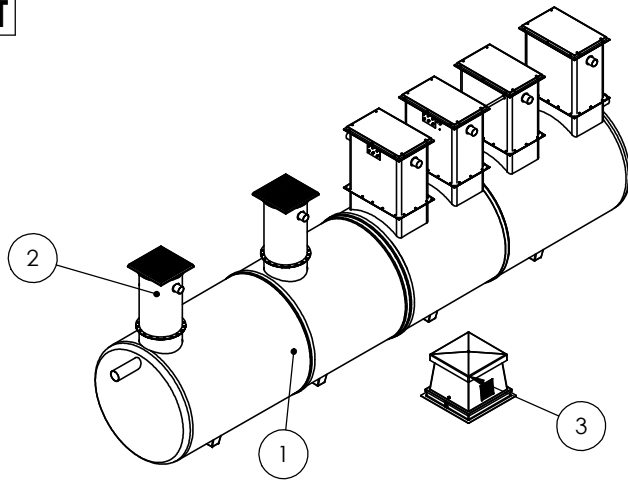


Third Angle Projection

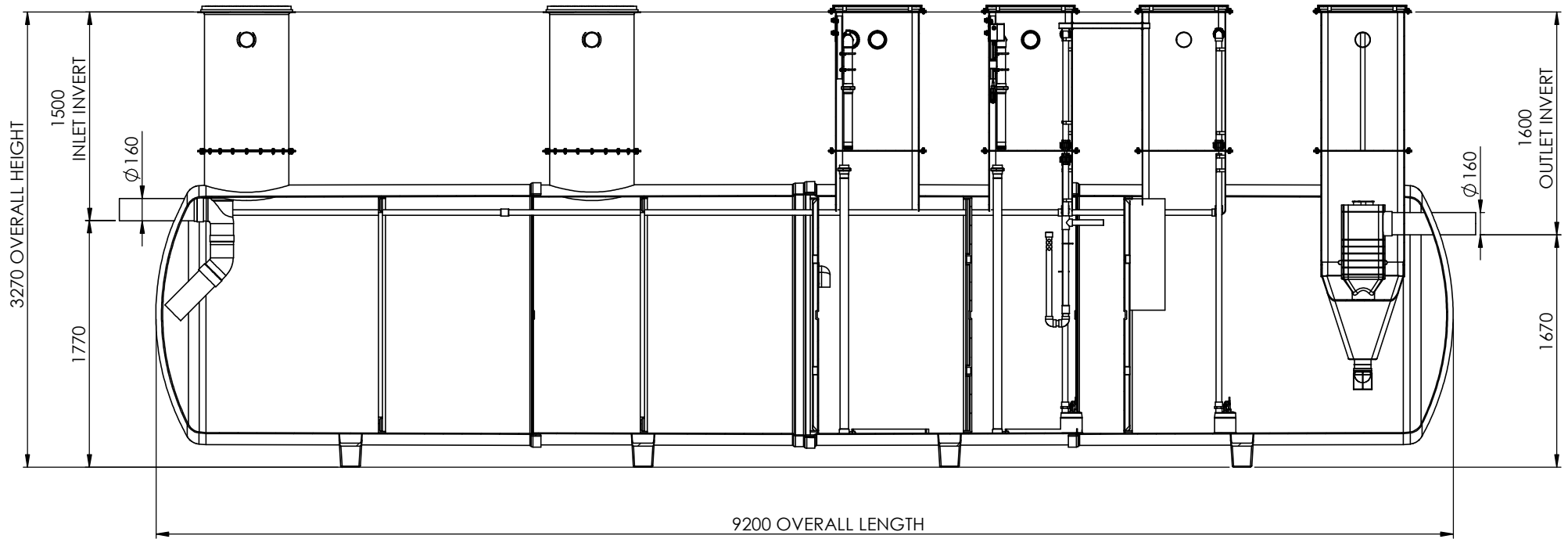
Kingspan Environmental reserve the right to alter the details of this drawing without prior notice. This drawing is copyright and may not be reproduced or used without the written permission of Kingspan Environmental



1.5m INVERT



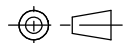
ITEM NO.	PART NUMBER	DESCRIPTION	1.5m Invert	1.5m Invert - No Covers
1	404406-15	BioFicient 23m³ Case Assembly	1	-
1	404418-15	BioFicient 23m³ Case Assembly - No Covers	-	1
2	404409	BioFicient 17 & 23 - Neck Assembly	1	-
2	404419	BioFicient 17 & 23 - Neck Assembly No Covers	-	1
3	201314	BioFicient 17 & 23 Blower Box Assembly - PPFDS	1	1
4	010264	TURRET EXTENSION MASTIC KIT	4	4
5	012220	Mastic & Bolt Assy Kit	2	2



Material : Various	Tolerance (unless stated) :	Drawing : BF23vC2wxyz	Page 3 of 4
Finish :	Thickness : n/a		
Weight : 1118.66 Kg	Surface Area : m²	BioFicient 23m³ Assembly	
Modelled By : Name			

All Dimensions In mm

Scale: Do Not Scale

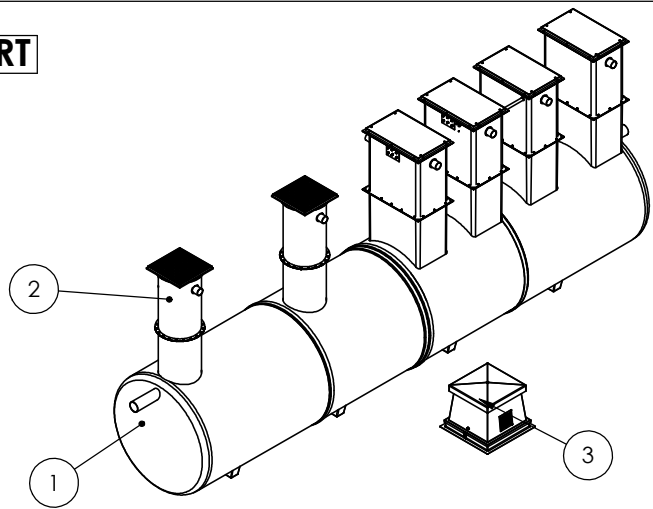


Third Angle Projection

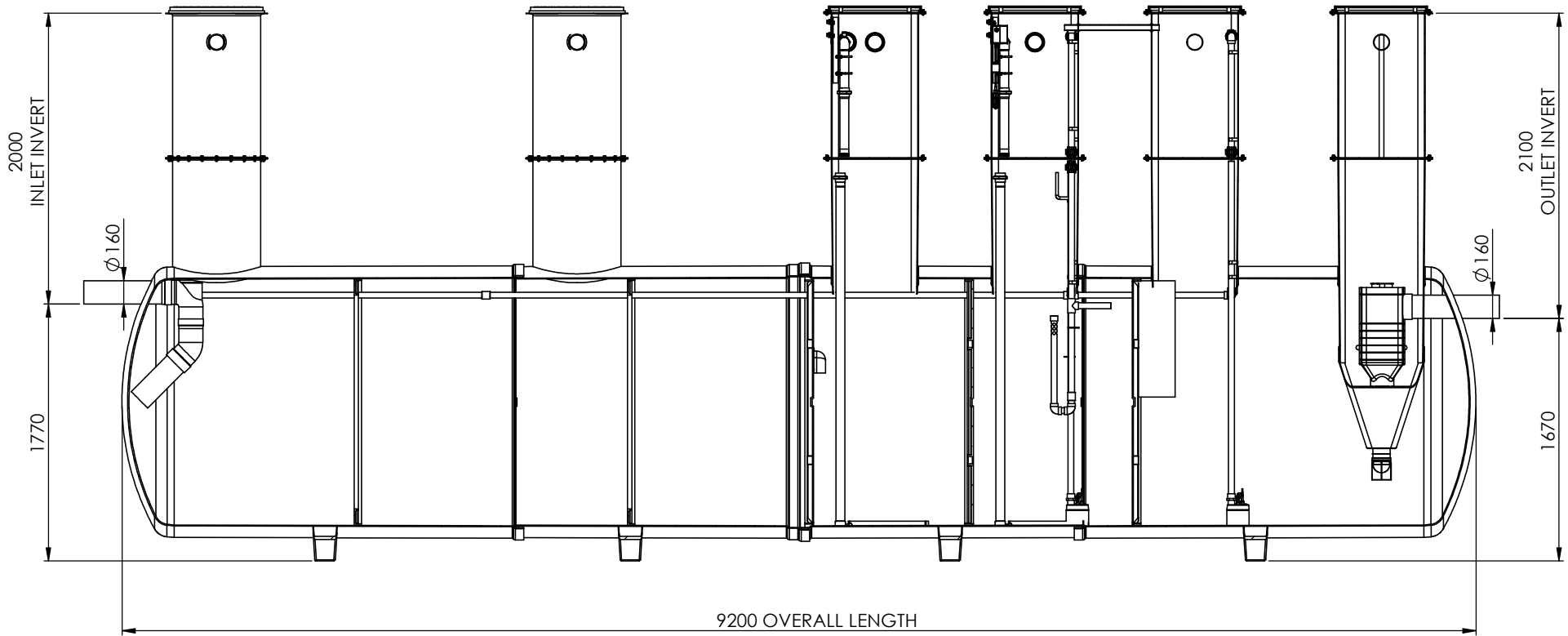
Kingspan Environmental reserve the right to alter the details of this drawing without prior notice. This drawing is copyright and may not be reproduced or used without the written permission of Kingspan Environmental



2.0m INVERT



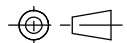
ITEM NO.	PART NUMBER	DESCRIPTION	2.0m Invert	2.0m Invert - No Covers
1	404406-20	BioFicient 23m³ Case Assembly	1	-
1	404418-20	BioFicient 23m³ Case Assembly - No Covers	-	1
2	404409	BioFicient 17 & 23 - Neck Assembly	1	-
2	404419	BioFicient 17 & 23 - Neck Assembly No Covers	-	1
3	201314	BioFicient 17 & 23 Blower Box Assembly - PPFDS	1	1
4	010264	TURRET EXTENSION MASTIC KIT	4	4
5	012220	Mastic & Bolt Assy Kit	2	2



Material : Various	Tolerance (unless stated) :	Drawing : BF23vC2wxyz	Page 4 of 4
Finish :	Thickness : n/a		
Weight : 1118.66 Kg	Surface Area : m²	BioFicient 23m³ Assembly	
Modelled By : Name			

All Dimensions In mm

Scale: Do Not Scale



Third Angle Projection

Kingspan Environmental reserve the right to alter the details of this drawing without prior notice. This drawing is copyright and may not be reproduced or used without the written permission of Kingspan Environmental

