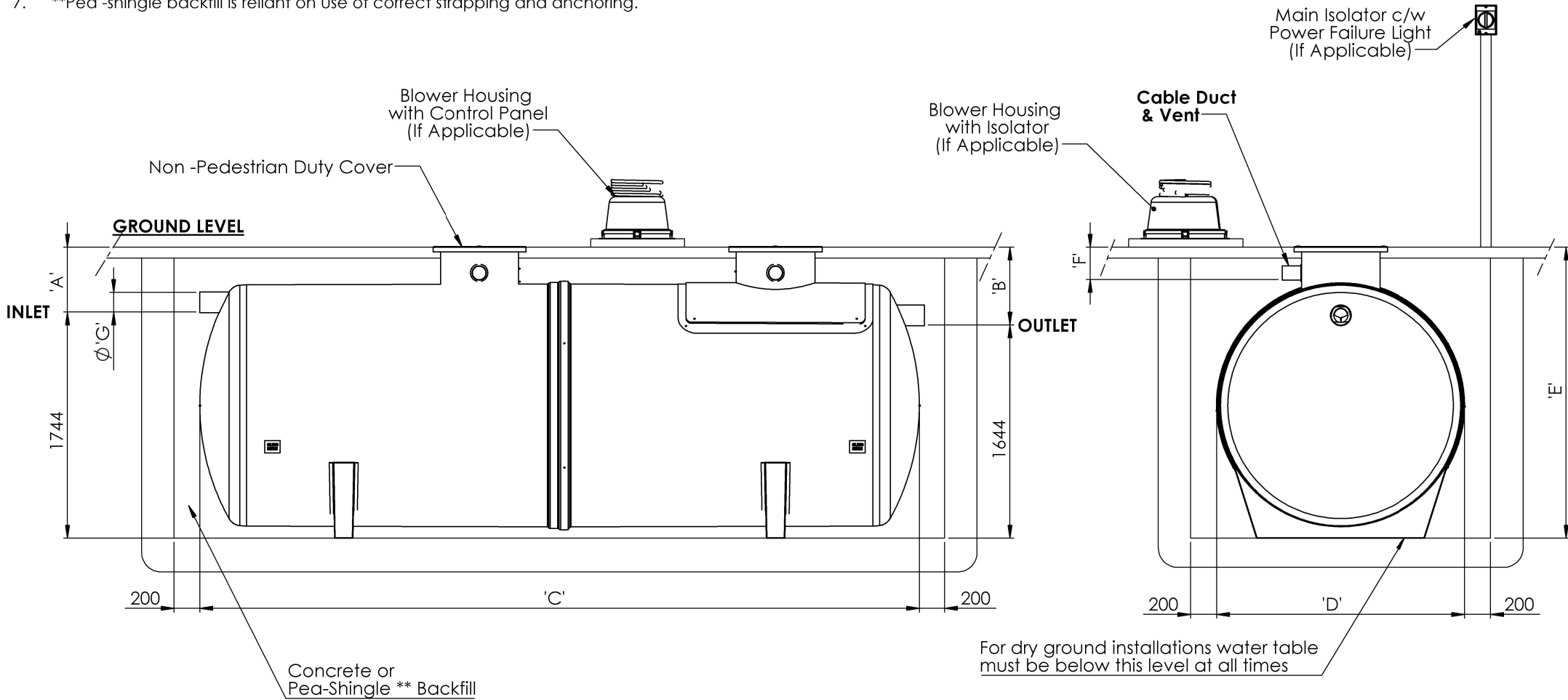
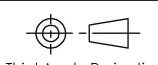


Notes:

1. This drawing is for 'Dimensional information Only', it is essential that this drawing is read in conjunction with the 'Installation Guidelines' supplied with the unit. (Copies available from our Sales Department)
2. Inlet and Outlet pipes are Ø110mm PVCu.
3. Extension neck kit is available for deep inverts up to a maximum invert of 2000mm. See extension neck drawing for assembly details.
4. Blower located inside external housing. Alarm beacon to be fitted to outside of blower housing (if applicable).
5. Vent pipe connection is supplied but vent runs and stacks are supplied by others.
6. Air hose for tank internals is supplied with blower housing and is run through the vent.
7. **Pea -shingle backfill is reliant on use of correct strapping and anchoring.

Unit Ref	A' (mm)	B' (mm)	C' (mm)	D' (mm)	E' (mm)	F' (mm)	G' (mm)	Unit Weight (Kgs)
BIA 7	500	600	5550	1920	2245	250	110	1250
	1000	1100	5550	1920	2745	250	110	1260
	1500	1600	5550	1920	3245	250	110	1280
	2000	2100	5550	1920	3745	250	110	1290



Please check with Kingspan Water & Energy for the latest Issue of the drawing				Modelled By : D.Owen	Tolerance (unless stated) : +/- 5 mm	Drawing : DS1419P	Page 1 of 1
Issue	Date	Drawn By	Approved By	Weight : 500.71 kg	Thickness : n/a		
01	18/05/23	D. Musvaburi	D.M	Material : Various	Surface Area : n/a m ²	BioAir 7 Gravity (25PE) Sales Drawing	
All Dimensions In mm		Scale: Do Not Scale		 Third Angle Projection		Kingspan Water & Energy reserve the right to alter the details of this drawing without prior notice. This drawing is copyright and may not be reproduced or used without the written permission of Kingspan Water & Energy	
A:\Depl\Wastewater\Engineering\Drawing Data\02 - Sales Drawings\DS\DS - 14\DS1419P							